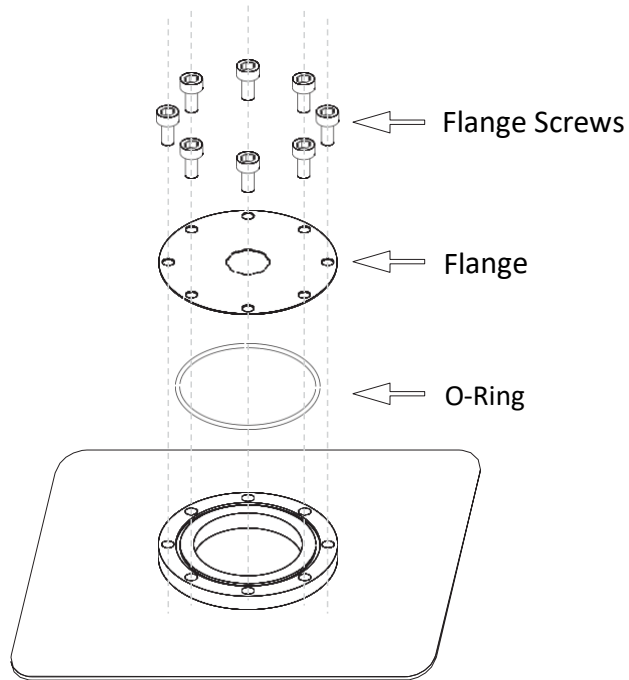


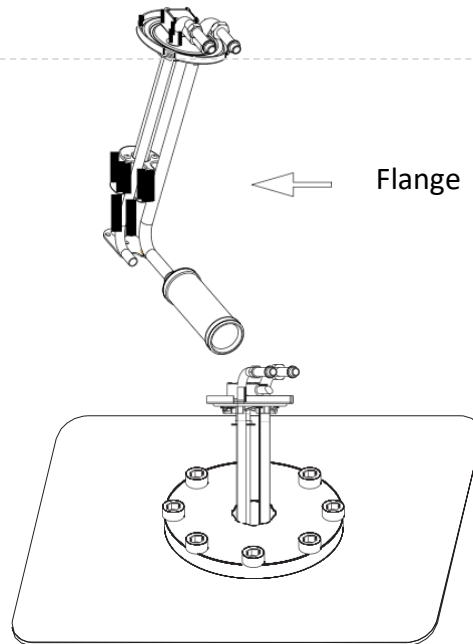
TN Installation Diagram

■ The Assembly Parts



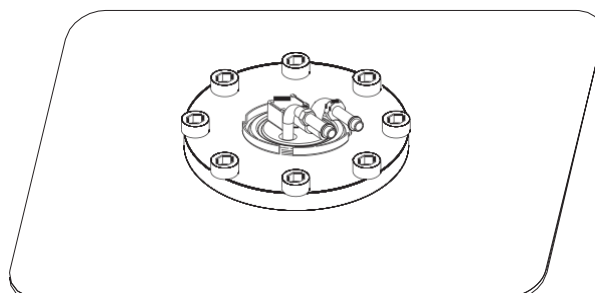
■ Insert the sensor

Note: Align with the hole



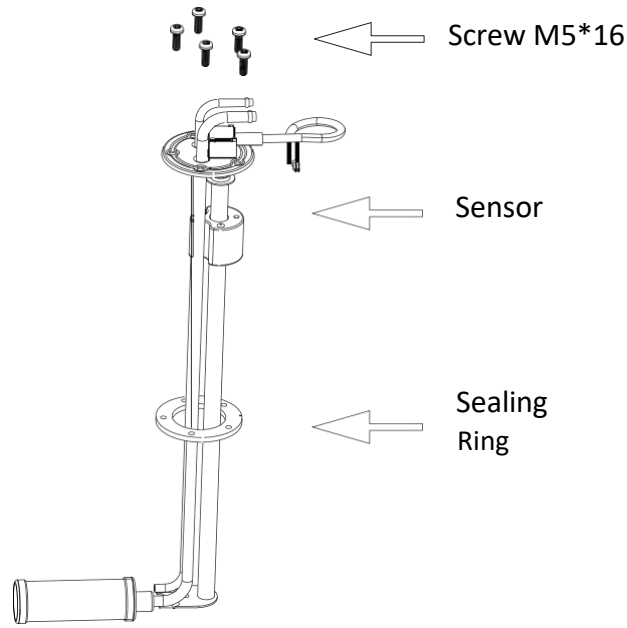
■ Finish the assembly

Note: Press the sensor downward, spin to 45 degree at the same time



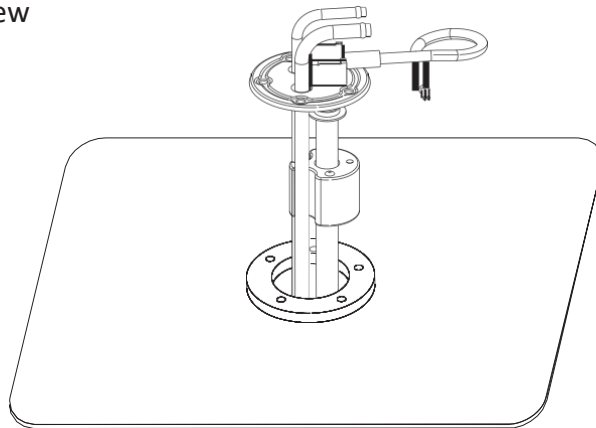
TNB Installation Diagram

■ The Assembly Parts



■ Insert the sensor

Note: Align the screw with crew hole



■ Finish the assembly

Note: First step, pre-lock the screw
Second step, follow the star locking order

