

**KUS**

# HSD Sensor

User's Manual



[www.kus-usa.com](http://www.kus-usa.com)

**Table of Contents**

1. Installation Tool and Preparation ..... 1  
2. Installation Steps ..... 1

**Revision History**

Revision	Description
1.0	Original Document

# 1. Installation Tool and Preparation

Applicable to tank without flange assembly

- Preparation: 1. Tool: 4.0mm/  $\frac{1}{8}$ " drill, 40~45 mm/1  $\frac{1}{2}$ " opener, marker pen, electric hand drill.  
2. Empty tank, clean tank with water, keep filler open.

# 2. Installation Steps

Step 1:  
Place gasket where you would want hole to be drilled in tank and keep it centered (notching direction of gasket is the direction of the outlet); draw the 1 big hole and 5 small holes by pencil (Figure 1).

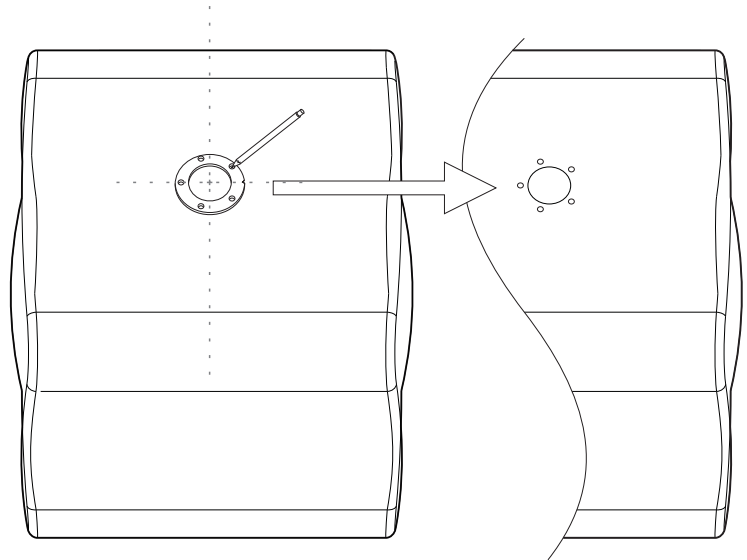
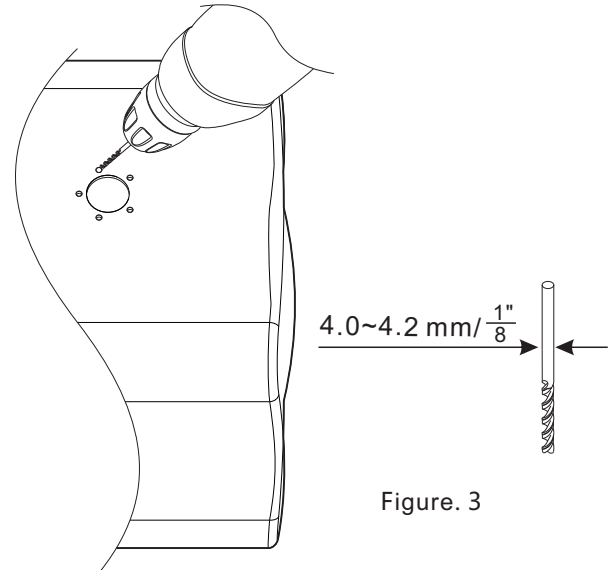
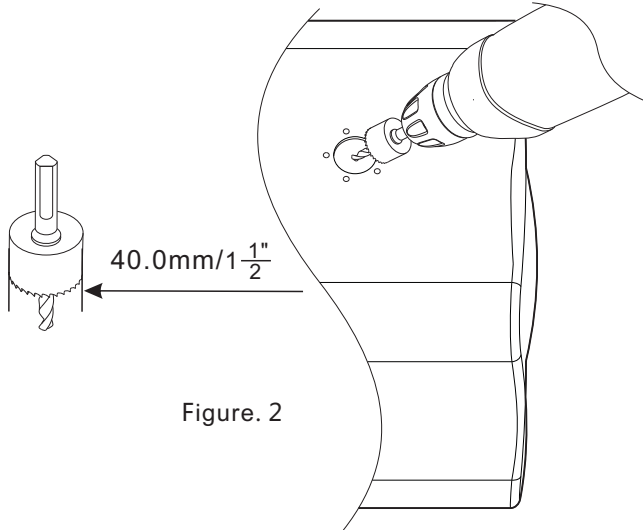


Figure. 1

Step 2:  
Align the area, then drill hole with opener (Figure. 2).

Step 3:  
Drill 5 holes separately with  $\frac{1}{8}$   $\phi$  4.0~4.2mm/ 8 drill (Figure. 3).  
Note: Cover big hole and remove chips in small hole to avoid them falling in tank.



Step 4:  
Assemble gasket and sensor into tank, screw and fix sensor in star pattern (see Figure. 4).

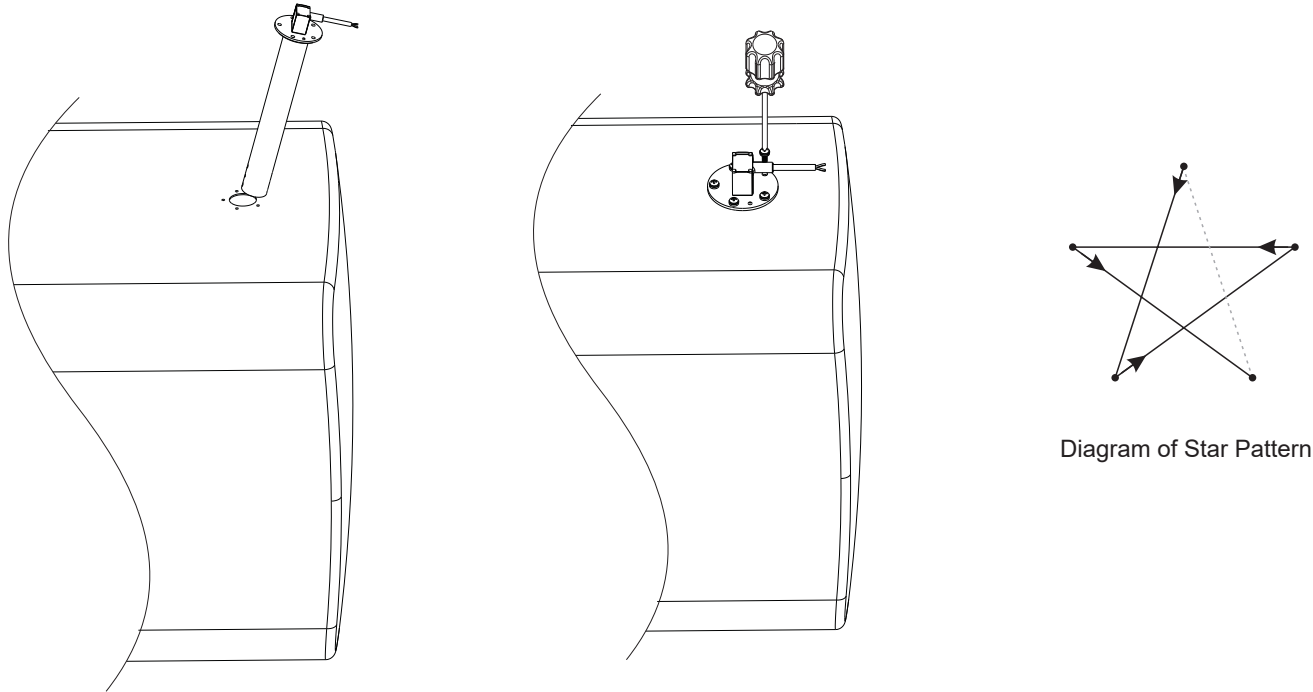


Figure. 4

Step 5:  
Check whether screws are through connecting gasket (Figure. 5).

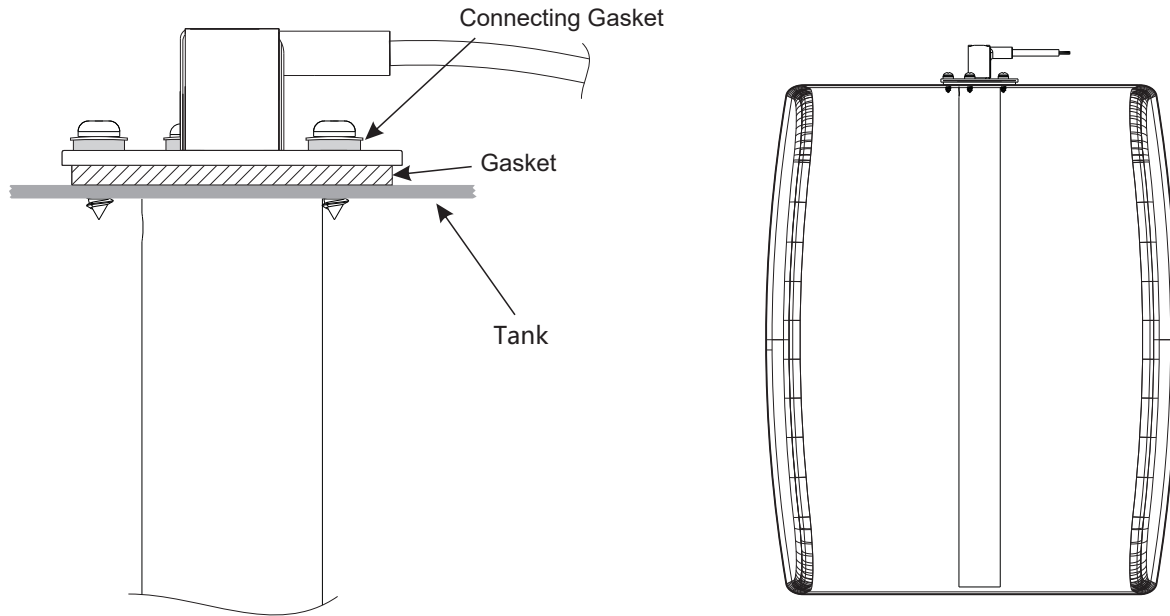


Figure. 5

# ***KUS***

Since 1984

