

KUS

SAP Sensor

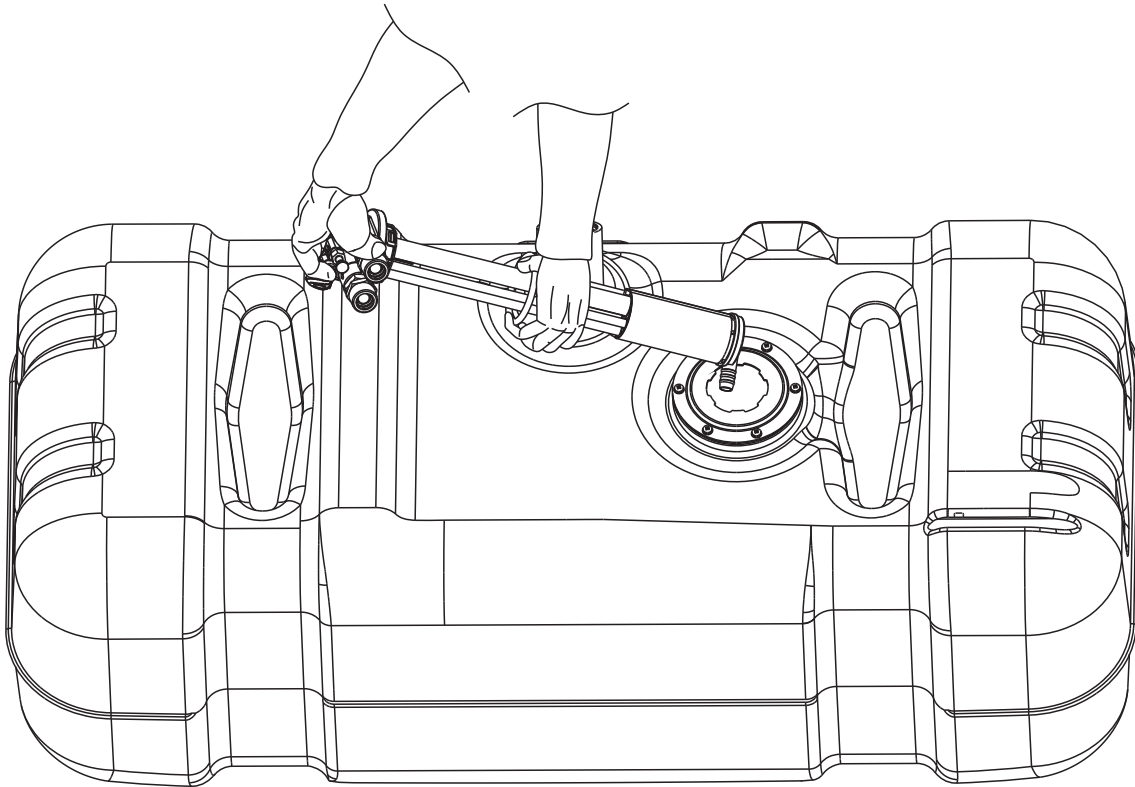
User's Manual



www.kus-usa.com

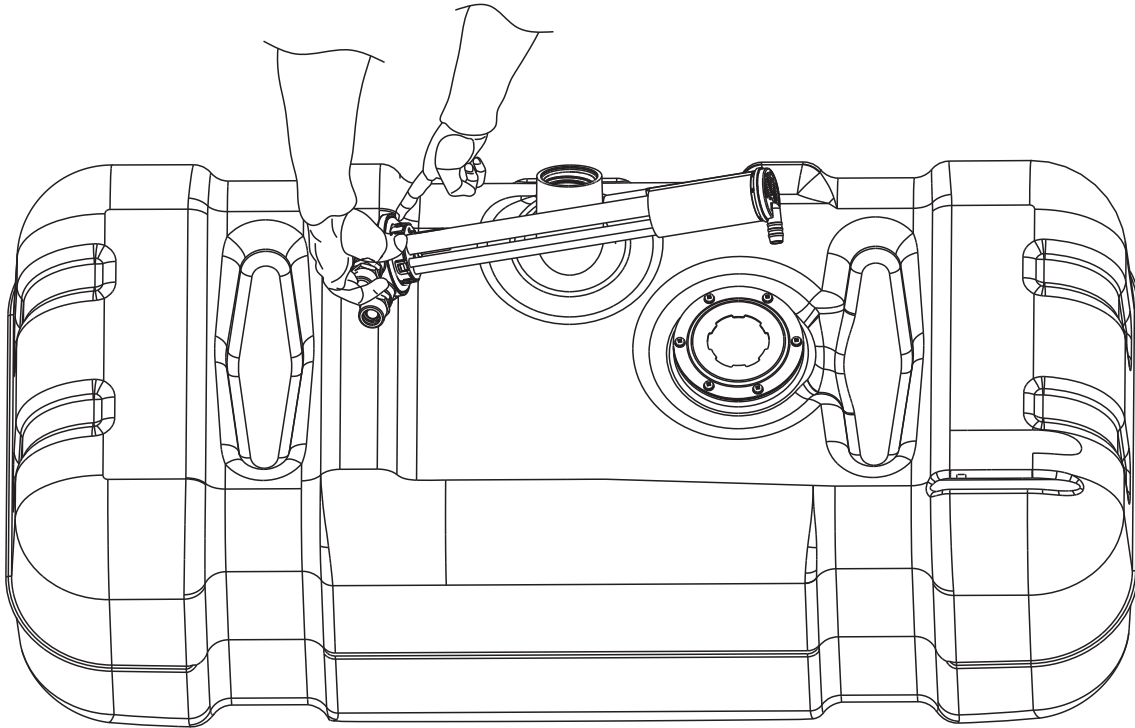
Step 1:

Insert the O-ring into the sensor



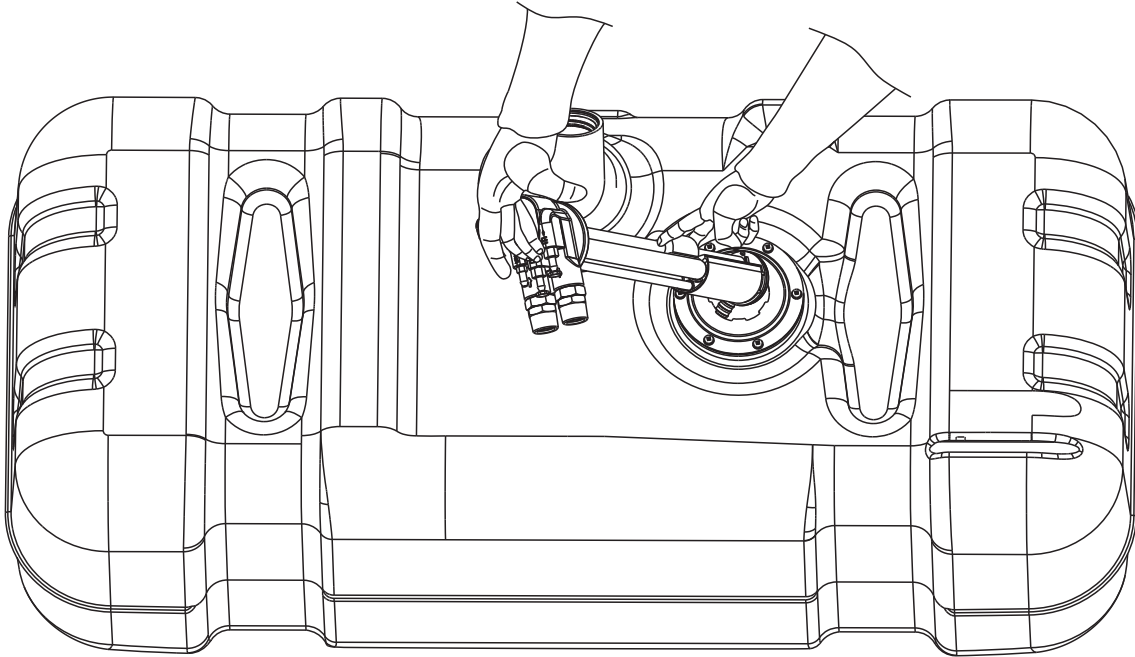
Step 2:

Insert the O-ring into the groove in the aluminum head of the sensor.



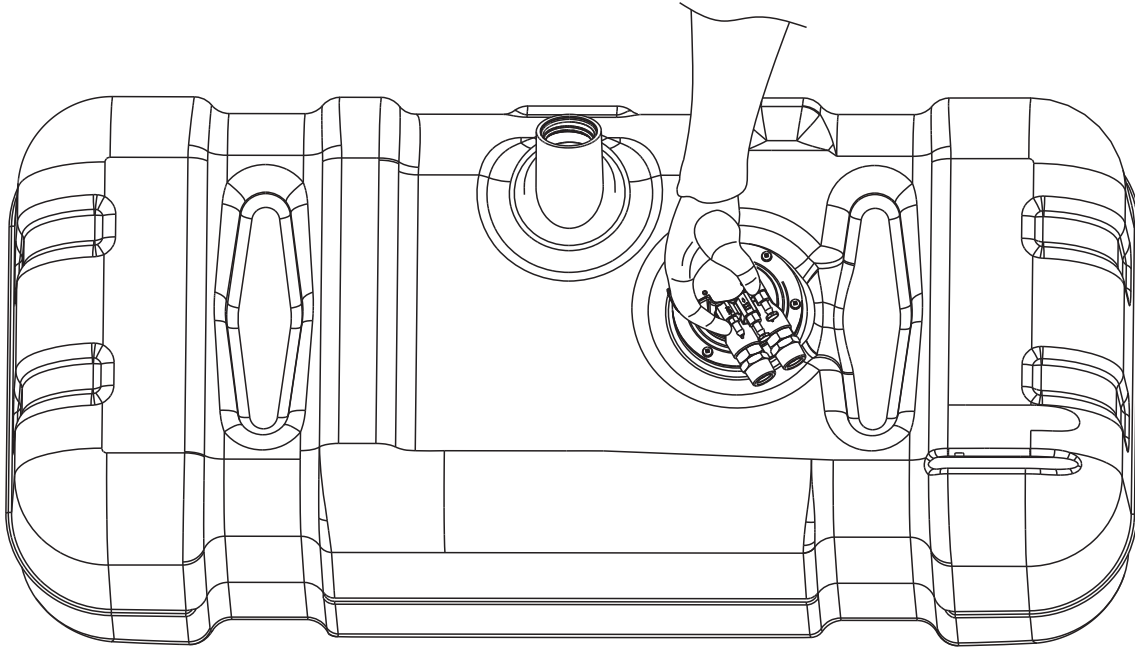
Step 3:

Move the float above the sensor (just above the plastic mesh) and hold it.



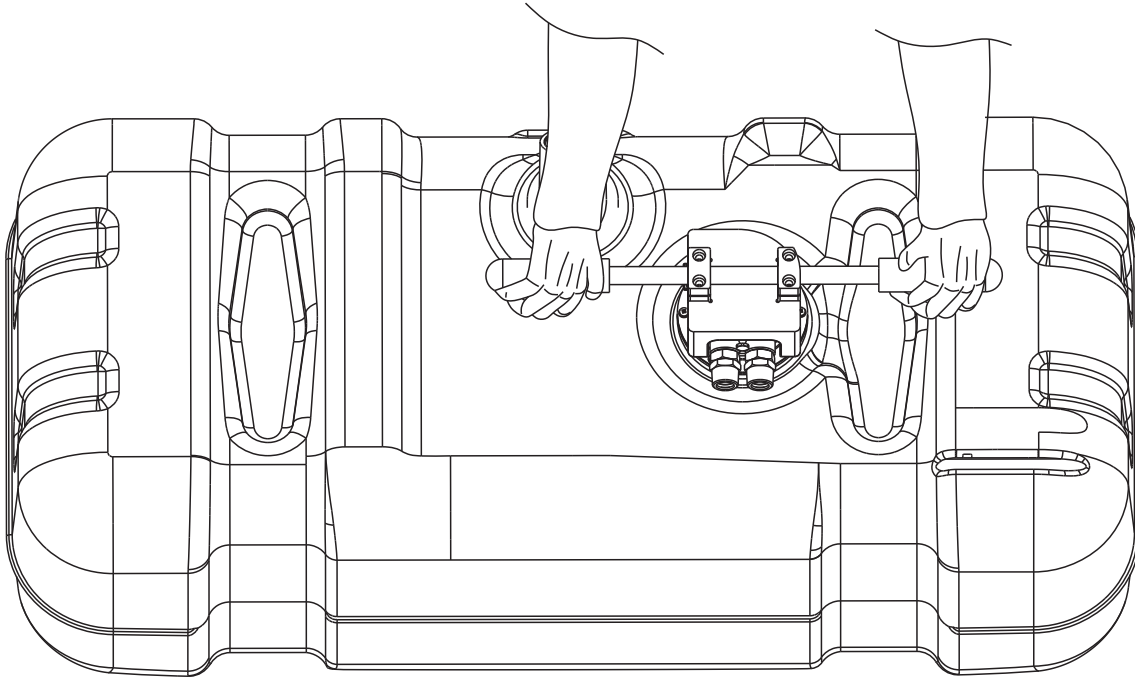
Step 4:

Slowly insert the whole sensor into the tank.



Step 5:

Insert the O-ring of the sensor into the holder of the fuel tank, then rotate it clockwise with the wrench/fixture for 30°. The assembly is complete.



KUS

— Since 1984 —

