

KUS

SD Sensor

User's Manual



www.kus-usa.com

Table of Contents

1. Installation Tool and Preparation 1
2. Installation Steps 1

Revision History

Revision	Description
1.0	Original Document

1. Installation Tool and Preparation

Applicable to tank without flange assembly

- Preparation: 1. Tool: 4.0mm/ $\frac{1}{8}$ " drill, 40~45 mm/1 $\frac{1}{2}$ " opener, marker pen, electric hand drill.
2. Empty tank, clean tank with water, keep filler open.

2. Installation Steps

Step 1:
Place gasket where you would want hole to be drilled in tank and keep it centered (notching direction of gasket is the direction of the outlet); draw the 1 big hole and 5 small holes by pencil (Figure 1).

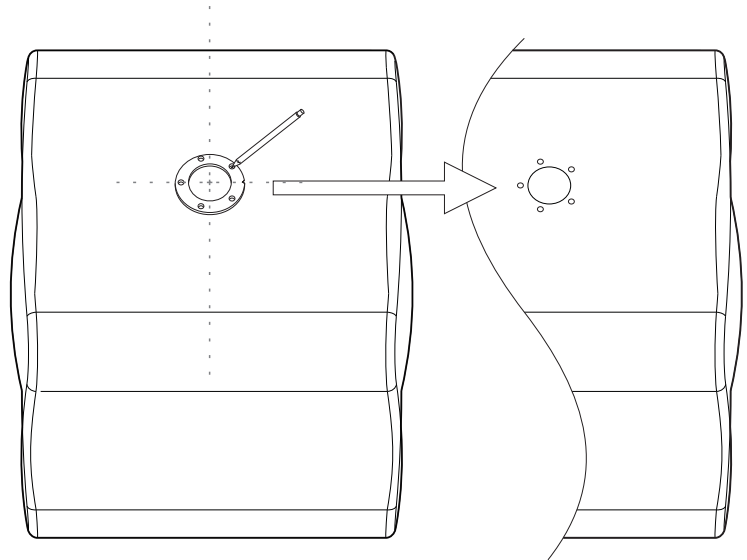
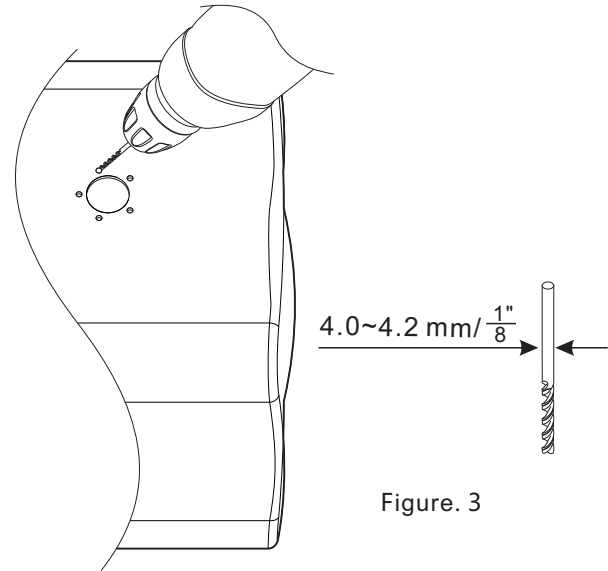
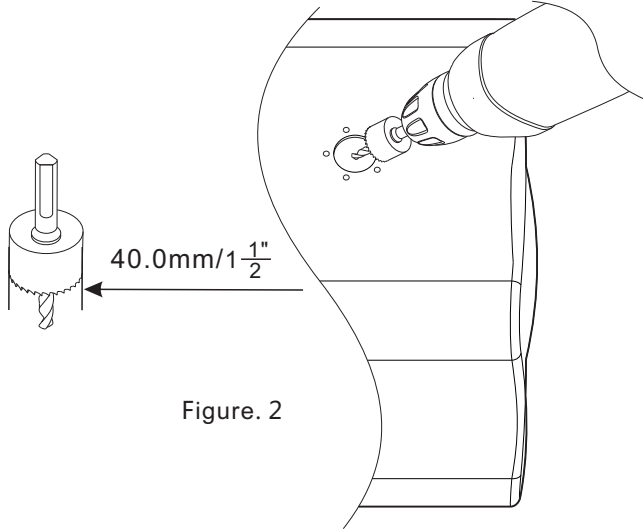


Figure. 1

Step 2:
Align the area, then drill hole with opener (Figure. 2).

Step 3:
Drill 5 holes separately with $\frac{1}{8}$ drill (Figure. 3).
Note: Cover big hole and remove chips in small hole to avoid them falling in tank.



Step 4:
Assemble gasket and sensor into tank, screw and fix sensor in star pattern (see Figure. 4).

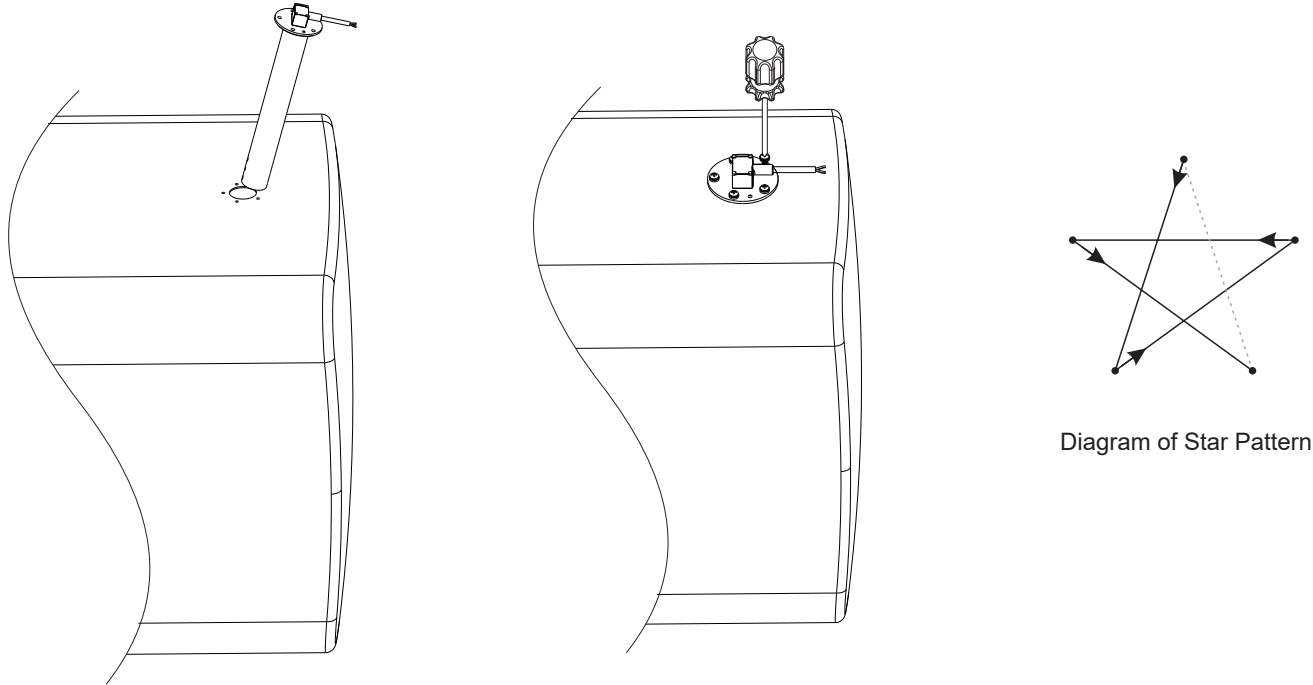


Figure. 4

Step 5:
Check whether screws are through connecting gasket (Figure. 5).

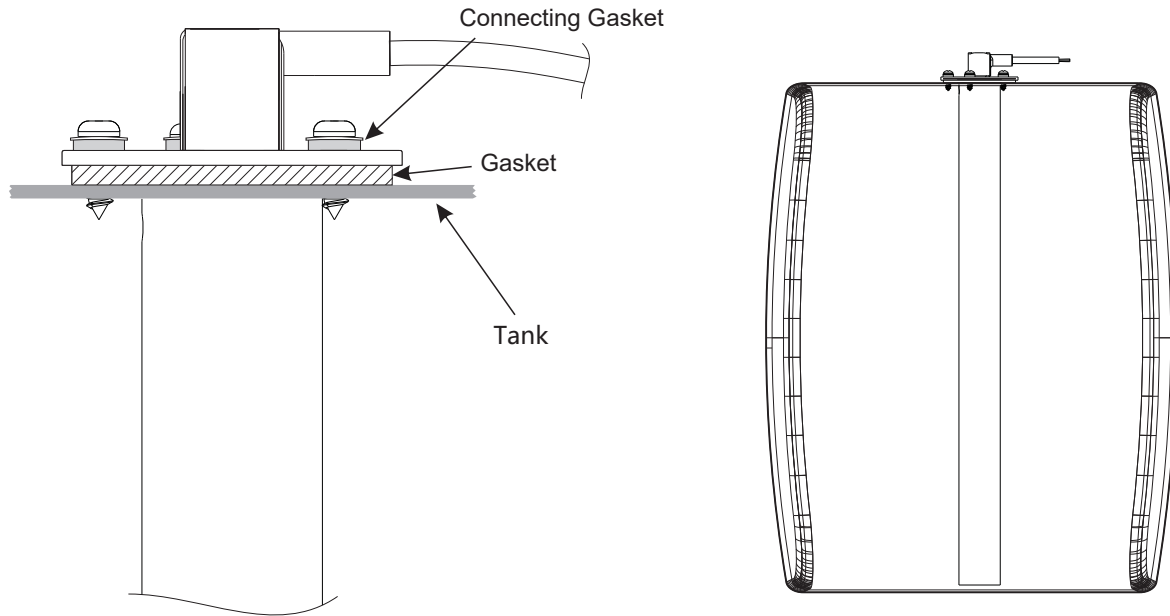


Figure. 5

KUS

Since 1984

